

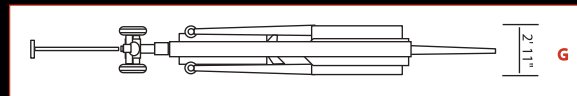
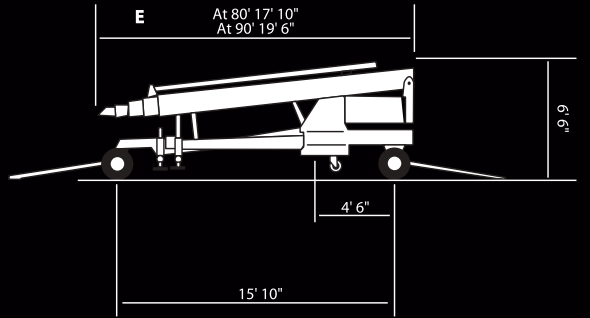
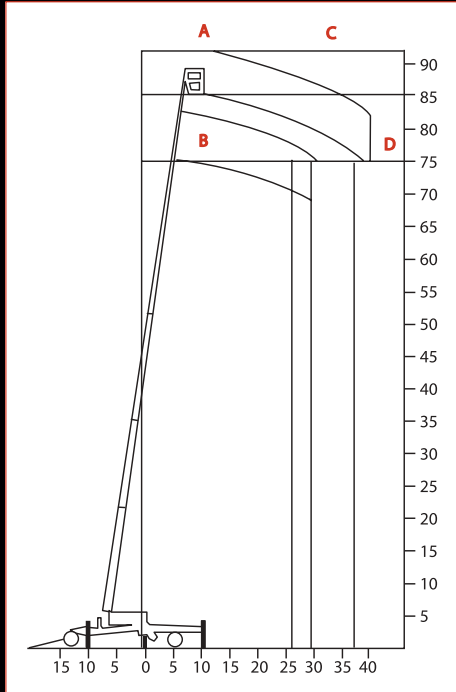
# We are Reaching New Heights!

## AT 80 FEET

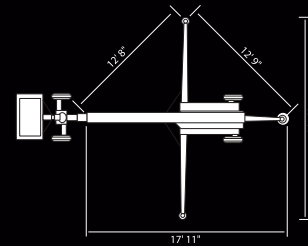
- Maximum platform height, 75 feet. Maximum work height, 81 feet.
- Maximum outreach, 35 feet. Maximum platform capacity, 440 lbs. Weight, 5320 lbs.
- Minimum length, 17 feet 10 inches. Minimum width, 35 inches.

## AT 90 FEET

- Maximum platform height, 85 feet. Maximum work height, 91 feet.
- Maximum outreach, 37 feet. Maximum platform capacity, 440 lbs. Weight, 5650 lbs.
- Minimum length, 19 feet 6 inches. Minimum width, 35 inches.



OUTRIGGER FOOTPRINT



### DENKA SPECS

	At 80'	At 90'
A Maximum Work Height	81 feet	91 feet
B Maximum Platform Height	75 feet	85 feet
C Maximum Capacity	440 lbs	440lbs
D Maximum Outreach	35 feet	37 feet
E Minimum Length	17' 10"	19' 6"
F Minimum Height	6' 6"	6' 6"
G Minimum Width	34.5"	34.5"
H Overall Weight	5320lbs	5650lbs
I Self Propelled Drive System (addl. weight)	180lbs	180lbs

### Do you have special height requirements?

MTB Services offers a wide range of solutions to your unusual and diverse space requirements, that can't be reached through traditional means.

